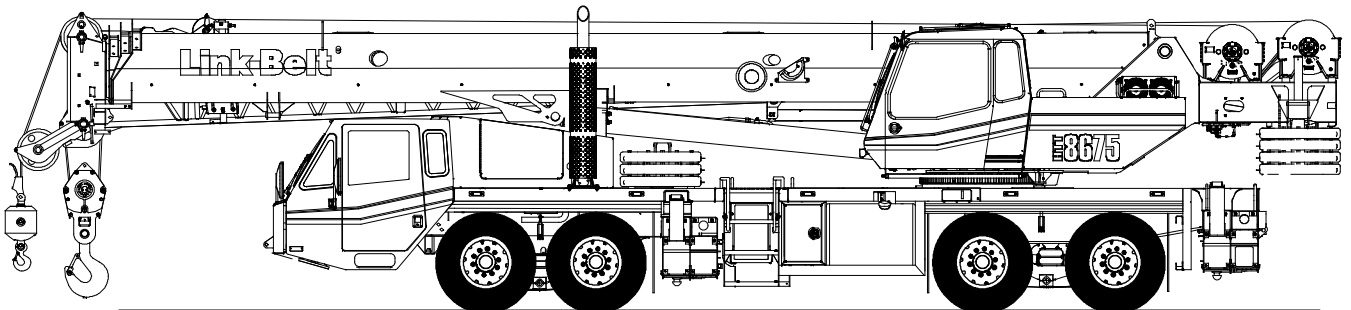


Technical Data

Specifications & Capacities

HTT 8675

Series II
Telescopic Boom Truck Crane
70.0 metric ton
CE



CAUTION: This material is supplied for reference use only. Operator must refer to in-cab Crane Rating Manual and Operator's Manual to determine allowable crane lifting capacities and assembly and operating procedures.

Table Of Contents

Boom, Attachments, and Upper Structure	1
Boom	1
Boom Wear Pads	1
Boom Head	1
Boom Elevation	1
Auxiliary Lifting Sheave – Optional	1
Hook Blocks and Balls – Optional	1
Fly – Optional	1
Fly Extensions – Optional	1
Upper Operator’s Cab and Controls	1
Swing	2
Electrical	2
Additional Equipment	2
Load Hoist System	3
Load Hoist Performance	3
2M Main and Optional Auxiliary Winches	3
Hydraulic System	3
Counterweight	3
Carrier	4
General	4
Outriggers	4
Steering and Axles	5
Suspension	5
Tires and Wheels	5
Brakes	5
Electrical	5
Engine	5
Transmission	5
Carrier Speeds and Gradeability	6
Fuel Tank	6
Hydraulic System	6
Pump Drive	6
Lower Cab and Controls	7
Additional Equipment	7
Axle Loads	8
General Dimensions	9
Working Range Diagram	10
Boom Extend Modes	11
Main Boom Lift Capacity Charts – Standard	12
0kg Counterweight – Fully Extended Outriggers – 360° Rotation	12
4 900kg Counterweight – Fully Extended Outriggers – 360° Rotation	13
Main Boom Lift Capacity Charts – Optional	14
6 530kg Counterweight – Fully Extended Outriggers – 360° Rotation	14
8 345kg Counterweight – Fully Extended Outriggers – 360° Rotation	15

On Tires Lift Capacity Charts	16
0kg Counterweight – On Tires – Stationary – Boom Centered Over Rear	16
0kg Counterweight – On Tires – Pick & Carry (1 km/h) – Boom Centered Over Rear	16
1 635–6 530kg Counterweight – On Tires – Stationary – Boom Centered Over Rear	17
1 635–6 530kg Counterweight – On Tires – Pick & Carry (1 km/h) – Boom Centered Over Rear ...	17
Fly Attachment Lift Capacity Charts – Optional	18
0kg Counterweight – Fully Extended Outriggers – 360° Rotation	18
4 900kg Counterweight – Fully Extended Outriggers – 360° Rotation	19
6 530kg Counterweight – Fully Extended Outriggers – 360° Rotation	21
8 345kg Counterweight – Fully Extended Outriggers – 360° Rotation	23

Boom, Attachments, and Upper Structure

■ Boom

Design – Four section, formed construction of extra high tensile steel consisting of one base section and three telescoping sections. The two plate design of each section has multiple longitudinal bends for superior strength. Each telescoping section extends independently by means of one double-acting, single stage hydraulic cylinder with integrated holding valves.

Boom

- 12.5–38.71m (41–127 ft) four section boom
- Integral boom dolly connection
- Four boom extend modes (EM1 through EM4), controlled from the operator's cab, provide superior capacities by varying the extension of the telescoping sections:
 - EM1 extends to 38.71m (127.0 ft)
 - EM2 extends to 34.5m (113.1 ft)
 - EM3 extends to 30.1m (98.7 ft)
 - EM4 extends to 23.2m (76.0 ft)
- Mechanical boom angle indicator
- Maximum tip height for each extend mode is:
 - EM1 is 41.5m (136 ft)
 - EM2 is 37.3m (122 ft)
 - EM3 is 33.0m (108 ft)
 - EM4 is 26.2m (86 ft)

Boom Wear Pads

- Wear pads with Teflon inserts that self-lubricate the boom sections
- Bottom wear pads are universal for all boom sections
- Top wear pads are universal for all boom sections

Boom Head

- Five 419.1mm (16.5 in) root diameter nylon sheaves to handle up to ten parts of line
- Easily removable wire rope guards
- Rope dead end lugs on each side of the boom head
- Boom head is designed for quick-reeve of the hook block

Boom Elevation

- One double acting hydraulic cylinder with integral holding valve
- Boom elevation: -3° to 80°

Auxiliary Lifting Sheave – Optional

- Single 419.1mm (16.5 in) root diameter nylon sheave
- Easily removable wire rope guards
- Does not affect erection of the fly or use of the main head sheaves

Hook Blocks and Balls – Optional

- 22.7mt (25 ton) 1 sheave quick-reeve hook block with safety latch
- 45mt (49.6 ton) 3 sheave quick-reeve hook block with safety latch

- 70mt (77 ton) 5 sheave quick-reeve hook block with safety latch
- 8mt (8.8 ton) swivel hook ball with safety latch

Fly – Optional

- 11.58m (38 ft) one piece lattice fly, stowable, offsettable to 2° , 15° , 30° , and 45° . Maximum tip height is 52.9m (173 ft).
- 11.58–19.51m (38 ft–64 ft) two piece bi-fold lattice fly, stowable, offsettable to 2° , 15° , 30° , and 45° . Maximum tip height is 60.6m (199 ft).

Fly Extensions – Optional

- One 4.88m (16 ft) lattice extension, equipped with two 419.1mm (16.5 in) root diameter nylon sheaves, to be mounted between the boom head and fly options. Maximum tip height is 65.4m (214 ft). Minimum of 4 900kg (10,800 lb) of counterweight required.
- Two 4.88m (16 ft) lattice extensions, one equipped with two 419.1mm (16.5 in) root diameter nylon sheaves, to be mounted between the boom head and fly options. Maximum tip height is 70.2m (230 ft). Minimum of 6 530kg (14,400 lb) of counterweight required.

■ Upper Operator's Cab and Controls

Environmental Cab – Fully enclosed, one person cab of galvaneal steel structure with acoustical insulation.

Equipped with:

- Tinted and tempered glass windows
- Extra-large fixed front window with windshield wiper and washer
- Roof window with windshield wiper
- Sliding left side door with large fixed window
- Sliding rear and right side windows for ventilation
- Six way adjustable, cushioned seat with seat belt and storage compartment
- Diesel fired warm-water heater with air ducts for front windshield defroster and cab floor
- Defroster fan for the front window
- Bubble level
- Circulating fan
- Adjustable sun visor
- Dome light
- Cup holder
- Left side viewing mirror
- Pull-out cabwalk
- Two position travel swing lock

Air Conditioning – Optional – Integral with cab heating system utilizing the same ventilation outlets

Engine Dependent Heater – Optional – Flameless, warm-water system that does not have a separate fuel tank

Armrest Controls – Two dual axis hydraulic joystick controllers or optional single axis hydraulic controllers for:

- Cab heater and A/C controls
- Swing
- Boom hoist
- Main rear winch
- Auxiliary front winch – optional
- Drum rotation indication
- Drum rotation indicator activation switch
- Swing park brake switch
- Winch high/low speed and disable switch(es)
- Warning horn button
- Third wrap/first layer calibration switches

Outrigger Controls – Hand held control box with umbilical cord gives the operator the freedom to view operation while setting the outriggers.

Foot Controls

- Boom telescope
- Swing brake
- Engine throttle

Right Front Console – Controls and indicators for:

- Engine ignition
- Engine throttle lock
- Pump enable
- Function disable
- Front windshield wiper and washer
- Cab floodlights
- Warning horn
- Console dimmer switch
- Bubble level
- 12 volt power connection
- Emergency stop switch
- Wait to start indicator
- Engine warning lamps
- Air conditioning – optional
- Boom floodlight – optional
- Rotating beacon or strobe light – optional

Cab Instrumentation – Ergonomically positioned, analog instrumentation for crane operation including:

- Check and stop engine indicators
- Low air pressure warning indicator
- Swing park brake indicator
- Engine coolant temperature with warning indicator
- Hydraulic oil temperature with warning indicator
- Fuel level with warning indicator
- Tachometer

Link-Belt Pulse – The Link-Belt in-house designed, total crane operating system that utilizes the display as a readout and operator interface for the following systems:

- **Rated capacity limiter** – LCD graphic audio – visual warning system integrated into the dash with anti – two block and function limiter. Operating data includes:
 - Crane configuration
 - Boom length and angle
 - Boom head height
 - Allowed load and % of allowed load
 - RCL light bar
 - Boom angle
 - Radius of load
 - Actual load
 - Wind speed

- Unit Conversion
- Multiple language capabilities
- Highlighted unit of measurement on working screen
- Active pin/latch status
- Telescope operation displayed in real time
- Third wrap indicator
- Diagnostics
- Operator settable alarms (include):
 - Maximum and minimum boom angles
 - Maximum tip height
 - Maximum boom length
 - Swing left/right positions
 - Operator defined area (imaginary plane)
- **Extend control module (ECM)**
 - Controls the extend modes
 - Diagnostics

Integrated Third Wrap Indicator With Kickout – Micro-guard color display visually and audibly warns the operator when the wire rope is on the first/bottom layer and provides a function kickout when the wire rope is down to the last three wraps.

Internal RCL Light Bar – Optional – Visually informs the operator when crane is approaching maximum load capacity with a series of green, yellow, and red lights.

External RCL Light Bar – Optional – Visually informs the ground crew when crane is approaching maximum load capacity with a series of green, yellow, and red lights.

■ Swing

Motor/Planetary – Bi-directional hydraulic swing motor mounted to a planetary reducer for 360° continuous smooth swing at 1.9 rpm.

Swing Park Brake – 360°, electric over hydraulic, (spring applied/hydraulic released) multi-disc brake mounted on the speed reducer. Operated by a switch from the operator's cab.

Swing Brake – 360°, foot operated, hydraulic applied disc brake mounted to the speed reducer.

Swing Lock – Two-position swing lock (boom over front or rear) operated from the operator's cab.

■ Electrical

Swing Alarm – Audio warning device signals when the upper is swinging.

Lights

- Two working lights on front of the cab
- One rotating amber beacon on top of the cab – optional
- One amber strobe beacon on top of the cab – optional
- Boom floodlight – optional

■ Additional Equipment

- Left side aluminum storage box

■ Load Hoist System

Load Hoist Performance

Main (Rear) and Auxiliary (Front) Winches – 19mm (3/4 in) Rope										
Layer	Maximum Line Pull		Normal Line Speed		High Line Speed		Layer		Total	
	kN	lb	m/min	ft/min	m/min	ft/min	m	ft	m	ft
1	75.09	16,880	52.4	172	104.0	341	34.7	114	34.7	114
2	69.03	15,519	57.0	187	113.1	371	37.8	124	72.5	238
3	63.89	14,362	61.6	202	122.2	401	40.8	134	113.4	372
4	59.45	13,365	66.1	217	131.1	430	43.9	144	157.3	516
5	55.59	12,497	70.7	232	140.2	460	46.9	154	204.2	670
6	---	---	---	---	---	---	50.0	164	254.2	834

Wire Rope Application		Diameter		Type	Maximum Permissible Load	
		mm	in		kN	lb
Main (Rear) Winch	Standard	19	3/4	18x19 rotation resistant – right regular lay (Type RB)	57.47	12,920
	Optional	19	3/4	4 strand, low torque, right regular lay (Type GC)	99.64	22,400
	Optional	19	3/4	36x7 rotation resistant – right regular lay (Type ZB)	69.39	15,600
Auxiliary (Front) Winch	Standard	19	3/4	18x19 rotation resistant – right regular lay (Type RB)	57.47	12,920
	Optional	19	3/4	4 strand, low torque, right regular lay (Type GC)	99.64	22,400
	Optional	19	3/4	36x7 rotation resistant – right regular lay (Type ZB)	69.39	15,600

2M Main and Optional Auxiliary Winches

- Axial piston, full and half displacement (2-speed) motors driven through planetary reduction unit for positive control under all load conditions.
- Grooved lagging
- Power up/down mode of operation
- Hoist drum cable follower
- Drum rotation indicator
- Drum diameter: 406.4mm (16 in)
- Rope length:
 - Main: 204.2m (670 ft)
 - Auxiliary: 152.4m (500 ft) or 204.2m (670 ft)
- Maximum rope storage: 254.2m (834 ft)
- Terminator style socket and wedge

■ Hydraulic System

All circuits of the hydraulic system are pressure compensated.

Counterbalance Valves – All hoist motors, boom extend cylinders, and boom hoist cylinders are equipped with counterbalance valves to provide load lowering and to prevent accidental load drop if hydraulic power is suddenly reduced.

Hydraulic Oil Cooler – One carrier mounted cooler removes heat from the hydraulic oil. The cooler is mounted in left side access ladder.

■ Counterweight

Standard – Total of 4 900kg (10,800 lb) of total counterweight consisting of three, hydraulically removable counterweights. Assembled and disassembled by hydraulic cylinders controlled from the left and right side of the upper structure with capacities for:

- 0 kg (0 lb) counterweight
- 1 635kg (3,600 lb) counterweight
- 3 265kg (7,200 lb) counterweight
- 4 900kg (10,800 lb) counterweight

Optional – 1 635kg (3,600 lb) in addition to standard counterweight for a total of 6 530kg (14,400 lb) with additional capacities for:

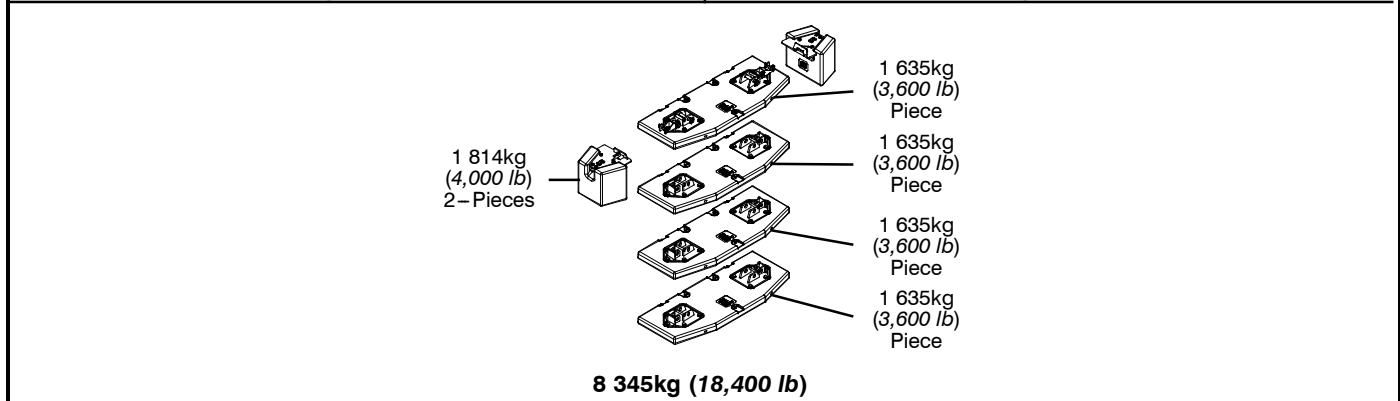
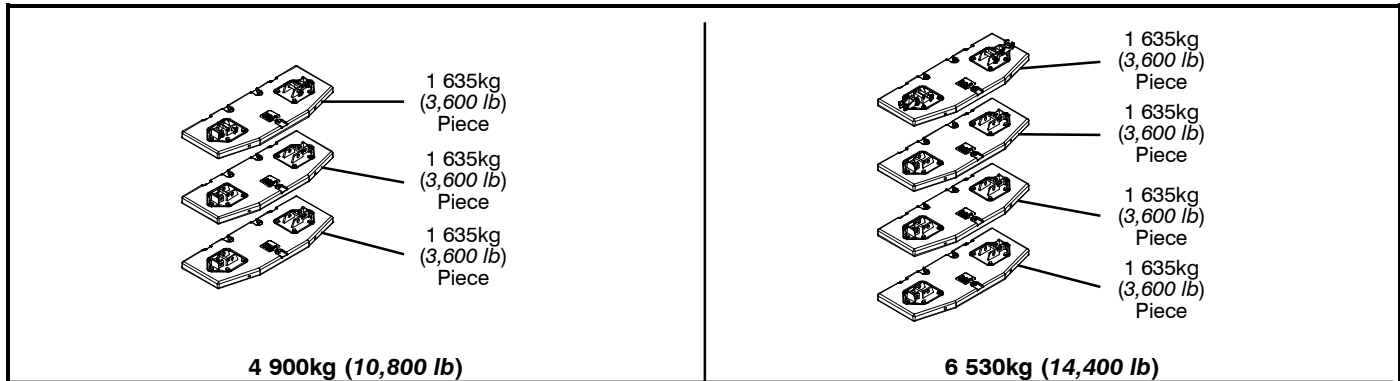
- 6 530kg (14,400 lb) counterweight

Optional – 3 447kg (7,600 lb) in addition to standard counterweight for a total of 8 345kg (18,400 lb) with additional capacities for:

- 6 530kg (14,400 lb) counterweight
- 8 345kg (18,400 lb) counterweight*

Low speed jobsite travel is offered for these optional counterweight configurations and a boom dolly or boom trailer may be required for on-highway travel.

* Overall width of the crane increases to 3.2m (10 ft 5 in) for this counterweight configuration



Counterweight Packages		4 900kg (10,800 lb) – Standard				
		6 530kg (14,400 lb) – Optional				
		8 345kg (18,400 lb) – Optional				
Counterweight Pieces		1 635kg (3,600 lb) Piece	1 635kg (3,600 lb) Piece	1 635kg (3,600 lb) Piece	1 635kg (3,600 lb) Piece	1 814kg (4,000 lb) 2-Pieces
Counterweight Configurations	0kg (0 lb)					
	1 635kg (3,600 lb)	X				
	3 265kg (7,200 lb)	X	X			
	4 900kg (10,800 lb)	X	X	X		
	6 530kg (14,400 lb)	X	X	X	X	
	8 345kg (18,400 lb)	X	X	X	X	X

Carrier

General

- 2.6m (8 ft 6 in) wide
- 7.26m (23 ft 10 in) wheelbase (centerline of first axle to centerline of fourth axle)
- **Frame** – Box-type, torsion resistant, welded construction made of high tensile steel. Equipped with front and rear towing and tie-down lugs, tow connections, and access ladders.

Outriggers

Boxes – Two double box, front and rear welded to the carrier frame

Beams and Jacks – Four dual stage beams with Confined Area Lifting Capacities (CALC) provide selectable outrigger extensions of full, intermediate, and retracted positions. Jacks with integral check valves, hydraulically controlled from the operator’s cab and on both sides of carrier. A fifth front bumper outrigger with integral check valves is hydraulically controlled from the operator’s cab and at the front bumper of carrier.

Pontoons – Four lightweight, stow'n go, 596.9 x 692.15mm (23.5 in x 27.25 in) hexagonal steel pontoons with a contact area of 3 129cm² (485 in²) can be stored for road travel in either the storage racks on the carrier or under the outrigger boxes.

Main Jack Reaction – 48 080.8kg (106,000 lb) force and 496.2kPa (217 psi) ground bearing pressure

Steering and Axles

- Sheppard full integral master gear/slave gear steering system provides hydraulic assisted steering with mechanical link between steering wheel and wheels

On Road (Primary) Steering Mode – Axles 3 and 4 will automatically steer in combination with axles 1 and 2 within seven degrees with ONROAD selected based on travel speeds.

On Road (Primary)		
Speed	Less than 24km/h (15 mph)	Greater than 24km/h (15 mph)
Axle 1	Steered	Steered
Axle 2	Steered	Steered
Axle 3	Steered	Locked
Axle 4	Steered	Locked

Off Road (Auxiliary) Steering Modes – Four independent modes consisting of:

- **Independent Front:** Axles 1 and 2
- **Combination:** Axles 1, 2, 3, and 4
- **Crab:** Axles 1, 2, 3, and 4
- **Independent Rear:** Axles 3 and 4

The front, combination, and crab steering modes are controlled from the steering wheel and are selected by controls in the driver's cab. Momentary switches located in the driver's cab control the rear steering mode.

- **Emergency Steering** – A pump is flange-mounted to the transmission and provides hydraulic pressure to the steering circuit as long as the crane is in motion.
- **Drive** – 8 x 4 for on/off highway travel
- **Axle 1 & 2** – Tandem steered, non-driven
- **Axle 3 & 4** – Electronically steered, driven with reduction 6.35 to 1.
- **Inter-Axle Differential Lock** – Traction adding device that locks axle 3 and axle 4. Operated by a switch from the carrier cab.
- **Transverse (Cross-Axle) Differential Locks** – Traction adding device that locks differentials within axles 3 and 4. Operated by a switch from the carrier cab.

Suspension

Front – Raydan Air Link walking beam air suspension

Rear – Raydan Air Link walking beam air suspension

Tires and Wheels

Front – Four (single) 445/65R22.5 tires on aluminum disc wheels

Rear – Four (single) 445/65R22.5 tires on aluminum disc wheels

- Spare tires and wheels – optional
- Tire inflation kit – optional

Brakes

Service – Full air anti-lock (ABS) brakes on all wheel ends. Dual circuit compressed air system with air dryer.

Parking/Emergency – Spring loaded type, acting on 3rd and 4th axles.

Electrical

Battery – Three batteries provide 12 volt starting and operation

Lights

- Front lighting includes two main headlights, two high beam lights, two parking and two directional indicators.
- Side lighting includes six marker and a directional indicator per side.
- Rear lighting includes two marker, two directional indicators, two parking/brake lights, two reverse lights, two license plate lights, and fog lamps.
- Other equipment includes hazard/warning system, cab light, instrument panel light, and signal horn.
- One amber strobe or rotating beacon on top of the cab – optional

Engine

Specification	Cummins QSX
Emissions Compliance Level:	Euro III (1)
Maximum Allowable Sulfur Content of Fuel (PPM):	5000
Numbers of cylinders:	6
Cycle:	4
Bore and Stroke: mm (inch)	137x169 (5.39 x 6.65)
Piston Displacement: L (in ³)	15.0 (915)
Max. Brake Horsepower: kW (hp)	331.8 (480) @ 1,800 rpm 320.7 (450) @ 2,100 rpm
Peak Torque: Nm (ft lb)	2 101.5 (1,550) @ 1,200 rpm
Alternator: volts – amps	12 – 135
Crankcase Capacity: L (qt)	49.21 (52)
<ul style="list-style-type: none"> • Cruise control • Three-stage engine compression brake • Thermostatically controlled, hydraulically driven radiator fan • Engine block heater 	
(1) Complies with EU Stage IIIA standards effective January 2007.	

Transmission

Automated – ZF AS-TRONIC (no clutch pedal) manual transmission with 12 forward gears and 2 reverse gears.

Carrier Speeds and Gradeability

ZF Astronic		Governed Speed		Gradeability (@ Peak Torque)
Gear	Ratio	km/h	mph	% Grade
				Tier III/Stage IIIA
12th	0.78	90.21	55.93	2.77
11th	1.00	70.18	43.51	3.96
10th	1.27	55.39	34.34	5.32
9th	1.63	43.08	26.71	7.12
8th	2.10	33.41	20.71	9.44
7th	2.70	25.99	16.12	12.36
6th	3.55	19.76	12.25	16.49
5th	4.57	15.37	9.53	21.40
4th	5.78	12.13	7.52	27.29
3rd	7.44	9.44	5.85	35.27
2nd	9.59	7.32	4.54	45.68
1st	12.33	5.69	3.53	58.90
Reverse 1	11.41	6.15	3.81	54.49
Reverse 2	8.88	7.90	4.90	42.25

Based on a gross vehicle weight of 43 091.3kg (95,000 lb)

Fuel Tank

One 302.8L (80 gal) capacity tank

Hydraulic System

All functions are hydraulically powered allowing positive, precise control with independent or simultaneous operation of all functions.

Main Pumps

- Three fixed displacement gear pumps with automatic disconnect for the main and auxiliary winches, swing, boom hoist, control circuit, and telescope for use when pick & carry switch is in travel mode.
- One fixed displacement gear pump for steering and the front bumper outrigger
- Three fixed displacement vane pumps for engine cooling fan, rear steer, and main outriggers. These pumps also provide flow to the winches and boom hoist for “pick & carry” mode. Operated by a switch in the carrier cab.
- Combined pump capacity of 753Lpm (199 gpm)
- One transmission mounted, ground driven pump for emergency steering.

Hydraulic Reservoir – 545.1L (144 gal) capacity equipped with sight level gauge. Diffusers built in for deaeration.

Filtration – One 10 micron, full flow, return line filter. All oil is filtered prior to return to reservoir. Accessible for easy filter replacement.

Pump Drive

All pumps are mechanically driven by the diesel engine. Main and auxiliary winches, swing, boom hoist, control circuit, and telescope pumps are mounted to an automatic pump disconnect on the rear of the transmission to aid in cold weather starting as well as to reduce pump wear while traveling.

■ Lower Cab and Controls

Environmental Cab – Fully enclosed, one person cab of composite structure with acoustical insulation. Equipped with:

- Tinted and tempered glass windows
- Roll down left side window for ventilation
- Sliding rear and right side windows for ventilation
- Windshield wiper and washer
- Six way adjustable and air suspended driver's seat with seat belt
- Two adjustable rear view mirrors
- Engine dependent warm–water heater with air ducts for windshield defroster and cab floor
- Adjustable sun visor
- Dome light
- 12 volt connection

Air Conditioning – Integral with cab heating system utilizing the same ventilation outlets

Cab Instrumentation – Ergonomically positioned analog instrumentation for driving including:

- Speedometer with odometer, hourmeter, trip odometer, and clock
- Front and rear air pressure with warning indicator
- Engine coolant temperature with warning indicator
- Engine oil pressure with warning indicator
- Voltage indicator with warning indicator
- Fuel level
- Tachometer
- Tachograph

Right Side Console – Controls and indicators for:

- Transmission gear shifting
- Transmission digital readout
- Cruise controls
- Engine compression brake controls
- Rear steer electronic control panel
- Emergency stop switch
- Park brake

Dash Mounted Controls For:

- Carrier lights
- Carrier/upper throttle control
- Engine cooling fan override
- Cab heater/air conditioning
- Console dimmer switch
- Anti–lock brake diagnostic switch
- Pick & carry switch
- Inter–axle differential lock switch
- Rear axle lift system switch – optional
- Fog lights

Dash Mounted Indicator For:

- Check engine, stop engine, engine warning, and wait to start
- Turn signal indication
- Tachograph warning indicator
- Park brake
- Cruise activation
- High beam headlights
- Check anti–lock brake system
- Check anti–lock trailer brake system
- Front and rear primary steer failure indicator
- Low level hydraulic oil indicator
- Inter–axle differential lock indicator
- Seat belt indicator
- Transaxle (cross–axle) differential lock indicator

Steering Column Controls For:

- Engine ignition
- Warning horn
- Turn indicators
- High beam headlights
- Steering wheel adjustments
- Intermittent windshield wiper and washer
- Hazard lights

Foot Controls For:

- Carrier service brakes
- Engine throttle

■ Additional Equipment

Standard:

- Aluminum full deck fenders with mud flaps
- Left and right bubble levels
- Air hose connection ports
- Fire extinguisher
- Left side aluminum storage box

Optional:

- Pneumatic and electrical quick disconnect connectors mounted on the rear for trailer or boom dolly brakes and lights
- Rear mounted pintle hook

Axle Loads

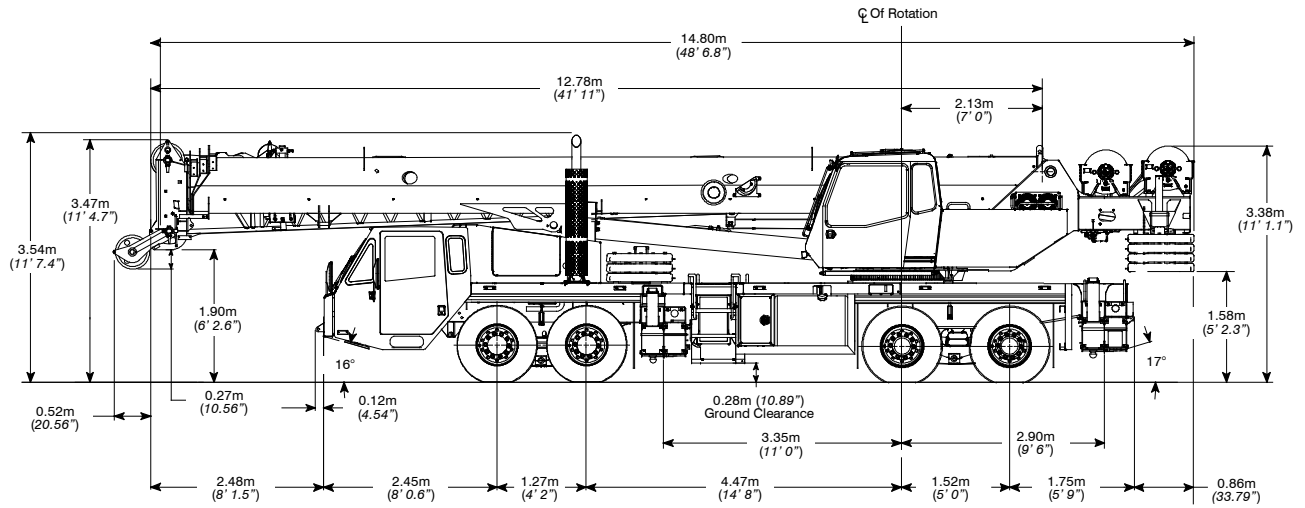
Base crane with full tank of fuel and no counterweight	Gross Vehicle Weight (¹)		Front Axles		Rear Axles	
	kg	lb	kg	lb	kg	lb
	34 435	75,917	15 976	35,221	18 459	40,696
Driver in carrier cab	113	250	143	315	-30	-65
Rear pintle hook	20	45	-9	-20	29	65
Auxiliary winch with 152.4m (500 ft) of 19mm (3/4") wire rope	324	714	-118	-261	379	836
Substitute 152.4m (500 ft) of wire rope with 204.2m (670 ft) of wire rope – auxiliary	97	213	-35	-77	132	290
Remove 204.2m (670 ft) of wire rope from rear (main) winch	-388	-856	199	438	-587	-1,294
Remove 152.4m (500 ft) of wire rope from front (auxiliary) winch	-292	-643	106	233	-397	-876
Upper storage box	15	32	-1	-3	16	35
Air conditioner – operator's cab	109	241	-7	-17	117	258
1 635kg (3,600 lb) counterweight on upper – 1 piece	1 657	3,652	-814	-1,795	2 471	5,447
3 265kg (7,200 lb) counterweight on upper – 2 pieces	3 313	7,304	-1 628	-3,589	4 941	10,893
4 900kg (10,800 lb) counterweight on upper – 3 pieces	4 970	10,956	-2 442	-5,384	7 412	16,340
6 530kg (14,400 lb) counterweight on upper – 4 pieces	6 626	14,608	-3 256	-7,178	9 882	21,786
Floodlight to the front of boom base section	4	9	4	10	0	-1
Fly mounting brackets to boom base section for fly options	80	176	62	136	18	40
11.58m (38 ft) offsettable fly – stowed	758	1,671	798	1,759	-40	-88
11.58–19.51m (38–64 ft) offsettable fly – stowed	1 095	2,413	994	2,192	100	221
Auxiliary lifting sheave	50	110	99	217	-49	-107
22.7mt (25 ton) 1–sheave hook block at boom head	337	742	639	1,408	-302	-666
45mt (49.6 ton) 3–sheave hook block at boom head	466	1,027	884	1,948	-418	-921
70mt (77 ton) 5–sheave hook block at boom head	635	1,400	1 205	2,656	-570	-1,256
8mt (8.8 ton) hook ball at boom head	244	538	463	1,021	-219	-483

Counterweight Load Transfer	Front Axles		Rear Axles	
	kg	lb	kg	lb
Transfer 1 635kg (3,600 lb) counterweight to carrier deck – 1 piece	2 074.3	4,573	-2 074.3	-4,573
Transfer 3 265kg (7,200 lb) counterweight to carrier deck – 2 pieces	4 148.1	9,145	-4 148.1	-9,145
Transfer 4 900kg (10,800 lb) counterweight to carrier deck – 3 pieces	6 222.4	13,718	-6 222.4	-13,718

Axle	Maximum Load @ 80km/h (50 mph)
Front	21 047kg (46,400 lb) – aluminum disc wheels with 445/65R22.5 tires
Rear	23 580kg (51,984 lb) – aluminum disc wheels with 445/65R22.5 tires

(¹) Adjust gross vehicle weight and axle loading according to component weight. All weights are ±3%.

General Dimensions

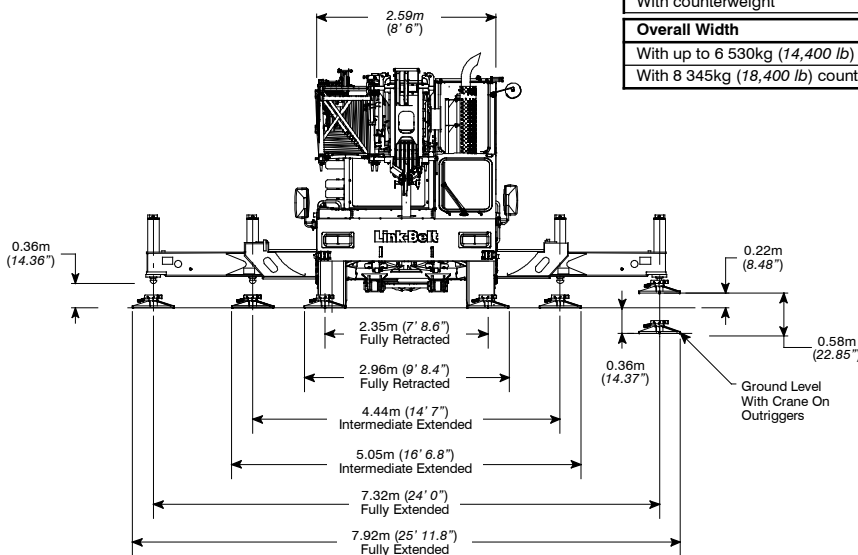


Turning Radius – Front Wheel (6x4) Steering	Metric	English
Wall to wall over carrier	14.7m	48' 4"
Wall to wall over boom	15.9m	52' 2"
Wall to wall over boom attachment	16.2m	53' 1"
Curb to curb	13.4m	44' 1"
Centerline of tire	13.2m	43' 4"

Turning Radius – All Wheel (6x8) Steering	Metric	English
Wall to wall over carrier	10.0m	32' 10"
Wall to wall over boom	11.5m	37' 8"
Wall to wall over boom attachment	11.6m	38' 1"
Curb to curb	8.6m	28' 4"
Centerline of tire	8.4m	27' 7"

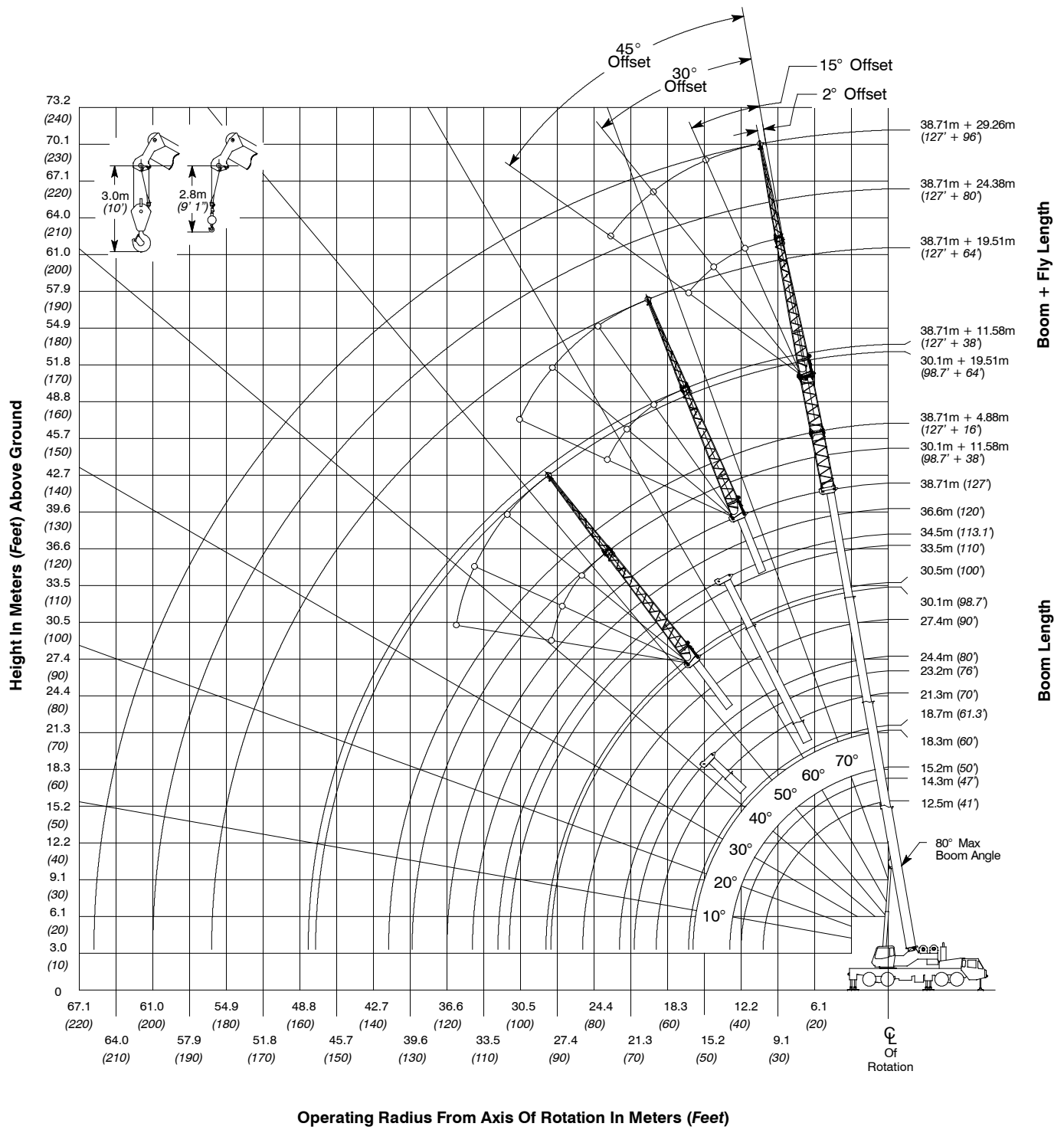
Tail Swing	Metric	English
With counterweight	4.2m	13' 9"

Overall Width	Metric	English
With up to 6 530kg (14,400 lb) counterweight	2.6m	8' 6"
With 8 345kg (18,400 lb) counterweight	3.1m	10' 4"




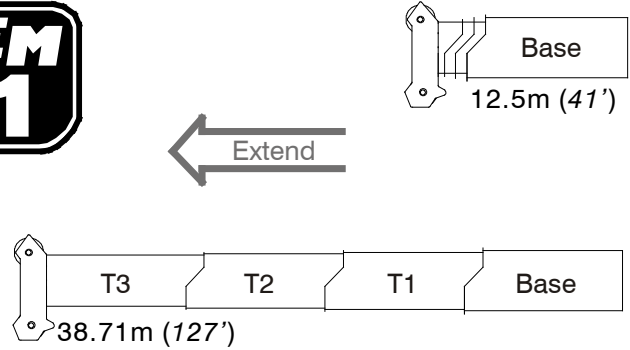
Not To Scale

Working Range Diagram


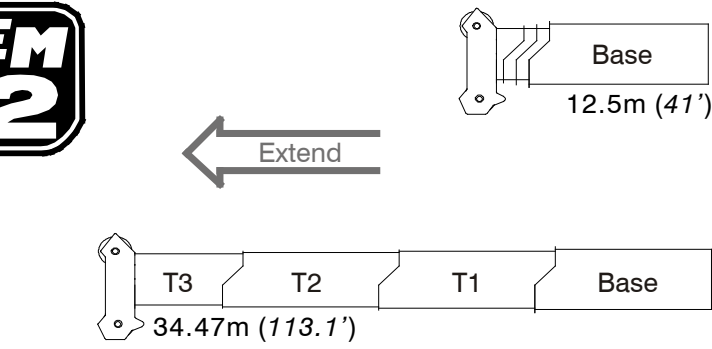


Boom Extend Modes


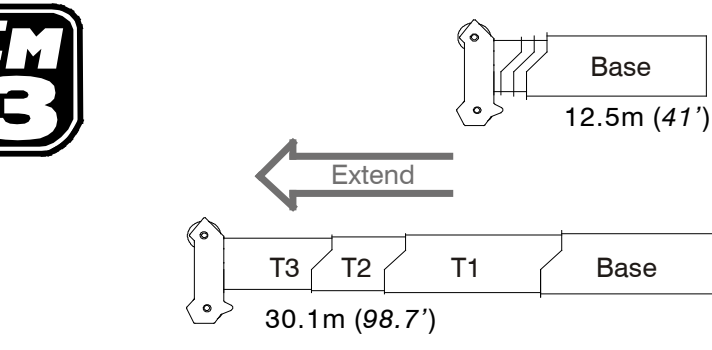
Boom Length		Section Length		
m	ft	T3	T2	T1
15.2	50	32%		
18.3	60	68%		
21.3	70	100%	4%	
24.4	80	100%	39%	
27.4	90	100%	74%	
30.5	100	100%	100%	8%
33.5	110	100%	100%	42%
36.6	120	100%	100%	76%
38.71	127	100%	100%	100%


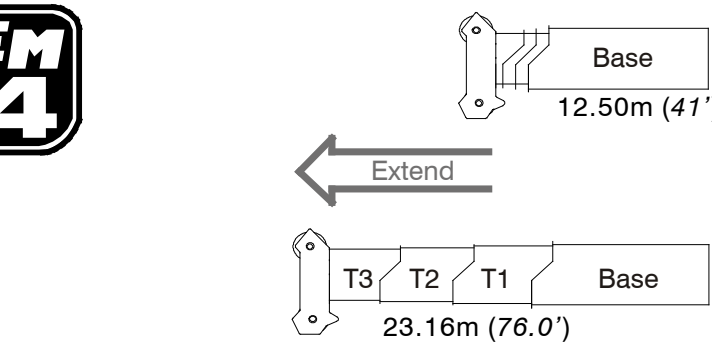
Boom Length		Section Length		
m	ft	T3	T2	T1
15.2	50	32%		
18.3	60	50%	18%	
21.3	70	50%	53%	
24.4	80	50%	87%	
27.4	90	50%	100%	22%
30.5	100	50%	100%	56%
34.5	113.1	50%	100%	100%

Boom Length		Section Length		
m	ft	T3	T2	T1
15.2	50	32%		
18.3	60	50%	18%	
21.3	70	50%	50%	3%
24.4	80	50%	50%	37%
27.4	90	50%	50%	71%
30.1	98.7	50%	50%	100%

Boom Length		Section Length		
m	ft	T3	T2	T1
14.3	47	22%		
18.7	61.3	22%	50%	
23.2	76	22%	50%	50%

Main Boom Lift Capacity Charts – Standard

0kg Counterweight – Fully Extended Outriggers – 360° Rotation (All Capacities Are Listed In Kilograms)											
Radius (m)	Boom Length (m)										Radius (m)
	12.5	15.2	18.3	21.3	24.4	27.4	30.5	33.5	36.6	38.71	
3	57 600	50 450	48 450	33 750							3
3.5	48 800	48 250	48 450	36 700	28 500						3.5
4	42 150	42 750	43 250	35 000	28 500						4
4.5	36 900	37 550	38 100	35 000	28 500	27 850					4.5
5	32 750	33 600	33 900	33 800	28 500	27 850					5
6	26 400	27 300	27 650	27 850	27 900	26 150	21 750	14 850			6
7	21 850	22 750	23 250	23 450	23 350	23 250	20 200	14 850	11 550	10 250	7
8	16 650	17 750	18 300	18 550	18 400	18 300	18 200	14 700	11 550	10 250	8
9	13 100	14 200	14 900	15 000	15 150	15 150	15 000	13 200	11 550	10 250	9
10	10 450	11 600	12 300	12 400	12 850	12 950	12 400	12 550	11 550	10 250	10
12		7 850	8 600	9 050	9 150	9 250	9 250	9 150	9 000	8 950	12
14			6 250	6 700	6 800	6 900	6 900	6 750	6 650	6 600	14
16			4 600	5 100	5 250	5 300	5 350	5 200	5 100	5 050	16
18				3 900	4 050	4 150	4 200	4 050	3 950	3 900	18
20					3 150	3 300	3 300	3 200	3 100	3 050	20
22					2 450	2 600	2 600	2 500	2 400	2 350	22
24						2 000	2 050	1 950	1 850	1 800	24
26							1 600	1 500	1 400	1 350	26
28							1 200	1 100	1 050	1 000	28
30								800	700	650	30
32									450	400	32

This information is not for crane operation. Operator must refer to the in-cab information for crane operation. Rated lifting capacities shown meet ISO 4305 standards.

4 900kg Counterweight – Fully Extended Outriggers – 360° Rotation (All Capacities Are Listed In Kilograms)											
Radius (m)	Boom Length (m)										Radius (m)
	12.5	15.2	18.3	21.3	24.4	27.4	30.5	33.5	36.6	38.71	
3	63 150	50 450	48 450	33 750							3
3.5	53 800	48 250	48 450	36 700	28 500						3.5
4	46 550	46 300	47 550	35 000	28 500						4
4.5	40 850	41 450	41 950	35 000	28 500	27 850					4.5
5	36 250	36 900	37 400	35 000	28 500	27 850					5
6	29 350	30 250	30 550	30 450	28 500	26 150	21 750	14 850			6
7	24 400	25 300	25 600	25 950	25 900	23 900	20 200	14 850	11 550	10 250	7
8	20 650	21 550	22 050	22 300	22 200	21 900	18 750	14 700	11 550	10 250	8
9	17 350	18 450	19 000	19 250	19 100	19 000	17 450	13 800	11 550	10 250	9
10	14 150	15 250	15 850	16 050	15 950	15 850	15 750	12 550	11 550	10 250	10
12		10 950	11 700	11 800	11 950	11 900	11 800	11 200	11 450	10 250	12
14			8 900	9 350	9 500	9 600	9 550	9 450	9 350	9 300	14
16			6 950	7 400	7 550	7 650	7 650	7 500	7 400	7 350	16
18				5 900	6 050	6 150	6 150	6 050	5 950	5 850	18
20					4 950	5 050	5 100	4 950	4 850	4 800	20
22					4 050	4 150	4 200	4 100	4 000	3 950	22
24						3 450	3 500	3 400	3 300	3 250	24
26							2 900	2 800	2 700	2 650	26
28							2 400	2 300	2 250	2 200	28
30								1 900	1 800	1 800	30
32									1 450	1 400	32

This information is not for crane operation. Operator must refer to the in-cab information for crane operation. Rated lifting capacities shown meet ISO 4305 standards.

Main Boom Lift Capacity Charts – Optional

6 530kg Counterweight – Fully Extended Outriggers – 360° Rotation (All Capacities Are Listed In Kilograms)												
Radius (m)	Boom Length (m)										Radius (m)	
	12.5	15.2	18.3	21.3	24.4	27.4	30.5	33.5	36.6	38.71		
2.5	70 000											3
3	64 250	50 450	48 450	33 750								3
3.5	55 500	48 250	48 450	36 700	28 500							3.5
4	48 000	46 300	48 450	35 000	28 500							4
4.5	42 150	42 750	43 250	35 000	28 500	27 850						4.5
5	37 450	38 050	38 600	35 000	28 500	27 850						5
6	30 350	31 200	31 550	31 450	28 500	26 150	21 750	14 850				6
7	25 250	26 150	26 450	26 400	26 750	23 900	20 200	14 850	11 550	10 250		7
8	21 400	22 300	22 700	23 050	22 950	21 900	18 750	14 700	11 550	10 250		8
9	18 400	19 300	19 800	20 050	19 950	19 900	17 450	13 800	11 550	10 250		9
10	15 400	16 500	17 050	17 300	17 150	17 050	16 300	12 550	11 550	10 250		10
12		11 900	12 650	12 750	12 900	12 850	12 750	11 200	11 450	10 250		12
14			9 700	9 850	10 300	10 300	9 900	10 050	10 150	10 100		14
16			7 650	8 050	8 250	8 300	8 350	8 200	8 100	8 050		16
18				6 550	6 700	6 800	6 850	6 700	6 600	6 550		18
20					5 550	5 650	5 700	5 550	5 450	5 400		20
22					4 600	4 700	4 750	4 600	4 550	4 450		22
24						3 900	3 950	3 850	3 800	3 700		24
26							3 350	3 250	3 150	3 100		26
28							2 800	2 700	2 650	2 600		28
30								2 250	2 200	2 150		30
32									1 800	1 750		32

This information is not for crane operation. Operator must refer to the in-cab information for crane operation. Rated lifting capacities shown meet ISO 4305 standards.

8 345kg Counterweight – Fully Extended Outriggers – 360° Rotation (All Capacities Are Listed In Kilograms)												
Radius (m)	Boom Length (m)										Radius (m)	
	12.5	15.2	18.3	21.3	24.4	27.4	30.5	33.5	36.6	38.71		
2.5	70 000											3
3	64,250	50,450	48,450	33,750								3
3.5	57,250	48,250	48,450	36,700	28,500							3.5
4	49,600	46,300	48,450	35,000	28,500							4
4.5	43,600	44,200	44,650	35,000	28,500	27,850						4.5
5	38,750	39,350	39,900	35,000	28,500	27,850						5
6	31,400	32,200	32,600	32,500	28,500	26,150	21,750	14,850				6
7	26,200	27,050	27,400	27,350	27,000	23,900	20,200	14,850	11,550	10,250		7
8	22,250	23,100	23,450	23,800	23,700	21,900	18,750	14,700	11,550	10,250		8
9	19,150	20,000	20,500	20,750	20,650	20,250	17,450	13,800	11,550	10,250		9
10	16,650	17,550	18,050	18,300	18,200	18,150	16,300	12,550	11,550	10,250		10
12		12,950	13,550	13,800	13,650	13,550	13,500	11,200	11,450	10,250		12
14			10,550	10,700	10,850	10,850	10,750	10,050	10,400	10,150		14
16			8,350	8,550	8,950	9,050	8,600	8,950	8,850	8,750		16
18				7,200	7,350	7,450	7,450	7,350	7,250	7,200		18
20					6,100	6,200	6,250	6,100	6,000	5,950		20
22					5,100	5,250	5,300	5,200	5,100	5,050		22
24						4,450	4,500	4,400	4,300	4,250		24
26							3,800	3,700	3,650	3,600		26
28							3,250	3,150	3,050	3,000		28
30								2,650	2,600	2,550		30
32									2,200	2,150		32

This information is not for crane operation. Operator must refer to the in-cab information for crane operation. Rated lifting capacities shown meet ISO 4305 standards.

On Tires Lift Capacity Charts

0kg Counterweight – On Tires – Stationary – Boom Centered Over Rear (All Capacities Are Listed In Kilograms)							
Radius (m)	Boom Length (m)						Radius (m)
	12.48	15.2	18.3	21.3	24.4	27.4	
3	8 600						3
3.5	7 800	8 200					3.5
4	7 050	7 500	7 800				4
4.5	6 400	6 850	7 150	7 350			4.5
5	5 800	6 250	6 600	6 800			5
6	4 750	5 300	5 650	5 850	5 950		6
7	3 900	4 450	4 850	5 100	5 200		7
8	3 150	3 750	4 150	4 400	4 500	4 550	8
9	2 250	3 050	3 550	3 800	3 900	4 000	9
10	1 500	2 300	2 850	3 250	3 400	3 500	10
12		1 150	1 700	2 100	2 250	2 350	12
14			900	1 300	1 400	1 500	14
16				700	850	900	16
18						450	18

0kg Counterweight – On Tires – Pick & Carry (1 km/h) – Boom Centered Over Rear (All Capacities Are Listed In Kilograms)					
Radius (m)	Boom Length (m)				Radius (m)
	12.48	15.2	18.3	21.3	
3	5 100				3
3.5	4 450	4 900			3.5
4	3 900	4 350	4 650		4
4.5	3 400	3 900	4 200	4 450	4.5
5	2 950	3 450	3 800	4 000	5
6	2 200	2 700	3 050	3 300	6
7	1 550	2 050	2 450	2 700	7
8	950	1 550	1 950	2 200	8
9	500	1 050	1 500	1 750	9
10		650	1 100	1 400	10
12			450	750	12

This information is not for crane operation. Operator must refer to the in-cab information for crane operation. Rated lifting capacities shown meet ISO 4305 standards.

1 635–6 530kg Counterweight – On Tires – Stationary – Boom Centered Over Rear
(All Capacities Are Listed In Kilograms)

Radius (m)	Boom Length (m)						Radius (m)
	12.48	15.2	18.3	21.3	24.4	27.4	
3	7 750						3
3.5	7 050	7 450					3.5
4	6 050	6 950	7 200				4
4.5	5 600	5 900	6 350	6 800			4.5
5	5 050	5 500	5 750	5 800			5
6	4 100	4 600	4 950	5 150	5 200		6
7	3 250	3 800	4 200	4 450	4 500		7
8	2 550	3 150	3 550	3 800	3 900	3 950	8
9	2 000	2 550	3 000	3 250	3 350	3 450	9
10	1 450	2 050	2 500	2 800	2 900	2 950	10
12		1 250	1 700	2 000	2 100	2 200	12
14			1 050	1 400	1 500	1 600	14
16			550	900	1 000	1 100	16
18				450	600	650	18

1 635–6 530kg Counterweight – On Tires – Pick & Carry (1 km/h) – Boom Centered Over Rear
(All Capacities Are Listed In Kilograms)

Radius (m)	Boom Length (m)				Radius (m)
	12.48	15.2	18.3	21.3	
3	4 150				3
3.5	3 600	4 000			3.5
4	3 100	3 550	3 850		4
4.5	2 600	3 100	3 450	3 650	4.5
5	2 200	2 700	3 050	3 300	5
6	1 500	2 000	2 400	2 650	6
7	900	1 450	1 850	2 100	7
8	400	950	1 350	1 650	8
9		500	950	1 250	9
10			600	900	10

This information is not for crane operation. Operator must refer to the in-cab information for crane operation. Rated lifting capacities shown meet ISO 4305 standards.

Fly Attachment Lift Capacity Charts – Optional

0kg Counterweight – Fully Extended Outriggers – 360° Rotation (All Capacities Are Listed In Kilograms)					
30.1m Main Boom Length – 11.58m Offset Fly Length					
Radius (m)	2° Fly Offset	15° Fly Offset	30° Fly Offset	45° Fly Offset	Radius (m)
9	7 350				9
10	7 200				10
12	6 800	5 700			12
14	6 400	5 400	4 550		14
16	5 250	5 150	4 400	3 900	16
18	4 100	4 500	4 250	3 800	18
20	3 200	3 550	3 900	3 750	20
22	2 500	2 800	3 100	3 350	22
24	1 950	2 200	2 450	2 650	24
26	1 500	1 700	1 950	2 100	26
28	1 100	1 300	1 500	1 600	28
30	800	950	1 100	1 200	30
32	500	650	750		32
34		400	450		34

0kg Counterweight – Fully Extended Outriggers – 360° Rotation (All Capacities Are Listed In Kilograms)					
38.71m Main Boom Length – 11.58m Offset Fly Length					
Radius (m)	2° Fly Offset	15° Fly Offset	30° Fly Offset	45° Fly Offset	Radius (m)
10	4 950				10
12	4 950				12
14	4 950	4 700			14
16	4 950	4 600			16
18	4 200	4 500	4 050		18
20	3 300	3 650	3 950	3 650	20
22	2 600	2 950	3 250	3 500	22
24	2 050	2 350	2 600	2 800	24
26	1 600	1 850	2 100	2 250	26
28	1 200	1 400	1 650	1 800	28
30	900	1 050	1 250	1 400	30
32	600	750	950	1 050	32
34		500	650	750	34
36			400	450	36

This information is not for crane operation. Operator must refer to the in-cab information for crane operation. Rated lifting capacities shown meet ISO 4305 standards.

4 900kg Counterweight – Fully Extended Outriggers – 360° Rotation (All Capacities Are Listed In Kilograms)					
30.1m Main Boom Length 2° Fly Offset			30.1m Main Boom Length 15° Fly Offset		
Radius (m)	Fly Length (m)		Radius (m)	Fly Length (m)	
	11.58	19.51		11.58	19.51
9	7 350		9		
10	7 200	4 750	10		
12	6 800	4 500	12	5 700	
14	6 400	4 250	14	5 400	
16	6 050	3 950	16	5 150	3 250
18	5 700	3 700	18	4 900	3 050
20	5 000	3 450	20	4 650	2 900
22	4 100	3 250	22	4 400	2 750
24	3 400	3 050	24	3 650	2 600
26	2 800	2 900	26	3 000	2 500
28	2 300	2 700	28	2 500	2 400
30	1 900	2 300	30	2 050	2 300
32	1 550	1 950	32	1 650	2 200
34	1 250	1 600	34	1 350	1 850
36	950	1 350	36	1 050	1 550
38	750	1 100	38	800	1 250
40		850	40		1 050
42		700	42		800
44		500	44		600

4 900kg Counterweight – Fully Extended Outriggers – 360° Rotation (All Capacities Are Listed In Kilograms)					
30.1m Main Boom Length 30° Fly Offset			30.1m Main Boom Length 45° Fly Offset		
Radius (m)	Fly Length (m)		Radius (m)	Fly Length (m)	
	11.58	19.51		11.58	19.51
14	4 550		14		
16	4 400		16	3 900	
18	4 250		18	3 800	
20	4 100	2 450	20	3 750	
22	3 950	2 350	22	3 650	
24	3 850	2 250	24	3 600	2 000
26	3 250	2 150	26	3 400	1 950
28	2 700	2 100	28	2 800	1 900
30	2 200	2 050	30	2 300	1 900
32	1 800	2 000	32	1 850	1 850
34	1 400	1 950	34		1 850
36	1 100	1 750	36		1 850
38		1 450	38		1 550
40		1 150	40		1 200
42		900	42		
44		650	44		

This information is not for crane operation. Operator must refer to the in-cab information for crane operation. Rated lifting capacities shown meet ISO 4305 standards.

4 900kg Counterweight – Fully Extended Outriggers – 360° Rotation (All Capacities Are Listed In Kilograms)							
38.71m Main Boom Length 2° Fly Offset				38.71m Main Boom Length 15° Fly Offset			
Radius (m)	Fly Length (m)			Radius (m)	Fly Length (m)		
	11.58	19.51	24.38		11.58	19.51	24.38
10	4 950			10			
12	4 950			12			
14	4 950	3 350	2 600	14	4 700		
16	4 950	3 300	2 600	16	4 600		
18	4 950	3 200	2 600	18	4 500		
20	4 850	3 150	2 600	20	4 400	2 750	2 500
22	4 200	3 050	2 600	22	4 300	2 650	2 300
24	3 500	2 950	2 550	24	3 750	2 550	2 150
26	2 900	2 850	2 350	26	3 150	2 500	2 000
28	2 400	2 700	2 200	28	2 600	2 400	1 850
30	2 000	2 300	2 050	30	2 200	2 300	1 750
32	1 650	1 900	1 850	32	1 800	2 200	1 650
34	1 350	1 600	1 550	34	1 450	1 850	1 550
36	1 050	1 300	1 250	36	1 200	1 550	1 450
38	800	1 050	1 000	38	950	1 300	1 200
40	600	850	800	40	700	1 050	950
42	400	650	600	42	500	850	750
44		500	400	44		650	550
46				46		450	400

4 900kg Counterweight – Fully Extended Outriggers – 360° Rotation (All Capacities Are Listed In Kilograms)							
38.71m Main Boom Length 30° Fly Offset				38.71m Main Boom Length 45° Fly Offset			
Radius (m)	Fly Length (m)			Radius (m)	Fly Length (m)		
	11.58	19.51	24.38		11.58	19.51	24.38
18	4 050			18			
20	3 950			20	3 650		
22	3 850			22	3 600		
24	3 800	2 200		24	3 500		
26	3 400	2 150	1 650	26	3 450		
28	2 850	2 100	1 550	28	3 000	1 900	1 350
30	2 350	2 050	1 500	30	2 500	1 850	1 300
32	1 950	2 000	1 400	32	2 050	1 850	1 250
34	1 600	1 950	1 300	34	1 700	1 850	1 200
36	1 300	1 800	1 250	36	1 350	1 800	1 100
38	1 000	1 500	1 200	38	1 050	1 700	1 100
40	800	1 250	1 150	40		1 400	1 050
42	550	1 000	950	42		1 100	1 000
44		800	750	44		850	850
46		600	550	46		650	650
48		400		48		400	450

This information is not for crane operation. Operator must refer to the in-cab information for crane operation. Rated lifting capacities shown meet ISO 4305 standards.

6 530kg Counterweight – Fully Extended Outriggers – 360° Rotation (All Capacities Are Listed In Kilograms)					
30.1m Main Boom Length 2° Fly Offset			30.1m Main Boom Length 15° Fly Offset		
Radius (m)	Fly Length (m)		Radius (m)	Fly Length (m)	
	11.58	19.51		11.58	19.51
9	7 350		9		
10	7 200	4 750	10		
12	6 800	4 500	12	5 700	
14	6 400	4 250	14	5 400	
16	6 050	3 950	16	5 150	3 250
18	5 700	3 700	18	4 900	3 050
20	5 400	3 450	20	4 650	2 900
22	4 600	3 250	22	4 450	2 750
24	3 850	3 050	24	4 100	2 600
26	3 250	2 900	26	3 450	2 500
28	2 700	2 700	28	2 900	2 400
30	2 250	2 600	30	2 400	2 300
32	1 900	2 250	32	2 000	2 200
34	1 550	1 950	34	1 650	2 100
36	1 250	1 650	36	1 350	1 850
38	1 000	1 350	38	1 050	1 550
40		1 150	40		1 300
42		950	42		1 050
44		750	44		850
46		600	46		650

6 530kg Counterweight – Fully Extended Outriggers – 360° Rotation (All Capacities Are Listed In Kilograms)					
30.1m Main Boom Length 30° Fly Offset			30.1m Main Boom Length 45° Fly Offset		
Radius (m)	Fly Length (m)		Radius (m)	Fly Length (m)	
	11.58	19.51		11.58	19.51
14	4 550		14		
16	4 400		16	3 900	
18	4 250		18	3 800	
20	4 100	2 450	20	3 750	
22	3 950	2 350	22	3 650	
24	3 850	2 250	24	3 600	2 000
26	3 650	2 150	26	3 500	1 950
28	3 100	2 100	28	3 200	1 900
30	2 550	2 050	30	2 650	1 900
32	2 150	2 000	32	2 200	1 850
34	1 750	1 950	34		1 850
36	1 400	1 900	36		1 850
38		1 750	38		1 850
40		1 450	40		1 500
42		1 150	42		
44		900	44		

This information is not for crane operation. Operator must refer to the in-cab information for crane operation. Rated lifting capacities shown meet ISO 4305 standards.

6 530kg Counterweight – Fully Extended Outriggers – 360° Rotation (All Capacities Are Listed In Kilograms)									
38.71m Main Boom Length 2° Fly Offset					38.71m Main Boom Length 15° Fly Offset				
Radius (m)	Fly Length (m)				Radius (m)	Fly Length (m)			
	11.58	19.51	24.38	29.26		11.58	19.51	24.38	29.26
10	4 950				10				
12	4 950				12				
14	4 950	3 350	2 600		14	4 700			
16	4 950	3 300	2 600	2 050	16	4 600			
18	4 950	3 200	2 600	2 050	18	4 500			
20	4 850	3 150	2 600	2 050	20	4 400	2 750	2 500	
22	4 750	3 050	2 600	2 050	22	4 300	2 650	2 300	1 850
24	3 950	2 950	2 550	1 900	24	4 100	2 550	2 150	1 700
26	3 350	2 850	2 350	1 750	26	3 600	2 500	2 000	1 550
28	2 800	2 750	2 200	1 600	28	3 000	2 400	1 850	1 400
30	2 350	2 650	2 050	1 450	30	2 550	2 300	1 750	1 300
32	2 000	2 250	1 900	1 350	32	2 150	2 250	1 650	1 200
34	1 650	1 900	1 750	1 250	34	1 800	2 100	1 550	1 100
36	1 350	1 600	1 550	1 150	36	1 500	1 850	1 450	1 000
38	1 100	1 350	1 300	1 050	38	1 200	1 600	1 400	950
40	900	1 100	1 050	1 000	40	950	1 300	1 250	850
42	650	900	850	800	42	750	1 100	1 000	800
44	500	750	650	600	44	550	900	800	750
46		550	500	450	46		700	600	600
48		400			48		500	450	450

6 530kg Counterweight – Fully Extended Outriggers – 360° Rotation (All Capacities Are Listed In Kilograms)									
38.71m Main Boom Length 30° Fly Offset					38.71m Main Boom Length 45° Fly Offset				
Radius (m)	Fly Length (m)				Radius (m)	Fly Length (m)			
	11.58	19.51	24.38	29.26		11.58	19.51	24.38	29.26
18	4 050				18				
20	3 950				20	3 650			
22	3 850				22	3 600			
24	3 800	2 200			24	3 500			
26	3 650	2 150	1 650	1 350	26	3 450			
28	3 250	2 100	1 550	1 250	28	3 300	1 900	1 350	
30	2 750	2 050	1 500	1 150	30	2 850	1 850	1 300	1 000
32	2 300	2 000	1 400	1 050	32	2 400	1 850	1 250	950
34	1 950	1 950	1 300	950	34	2 000	1 850	1 200	850
36	1 600	1 850	1 250	900	36	1 650	1 800	1 100	800
38	1 300	1 750	1 200	800	38	1 350	1 700	1 100	750
40	1 050	1 500	1 150	750	40		1 650	1 050	700
42	800	1 250	1 100	700	42		1 350	1 000	650
44	600	1 050	1 000	650	44		1 100	1 000	600
46		800	800	600	46		850	900	550
48		600	600	550	48		650	650	500
50		450	400	400	50			450	500

This information is not for crane operation. Operator must refer to the in-cab information for crane operation. Rated lifting capacities shown meet ISO 4305 standards.

8 345kg Counterweight – Fully Extended Outriggers – 360° Rotation (All Capacities Are Listed In Kilograms)					
30.1m Main Boom Length 2° Fly Offset			30.1m Main Boom Length 15° Fly Offset		
Radius (m)	Fly Length (m)		Radius (m)	Fly Length (m)	
	11.58	19.51		11.58	19.51
9	7 350		9		
10	7 200	4 750	10		
12	6 800	4 500	12	5 700	
14	6 400	4 250	14	5 400	
16	6 050	3 950	16	5 150	3 250
18	5 700	3 700	18	4 900	3 050
20	5 400	3 450	20	4 650	2 900
22	5 100	3 250	22	4 450	2 750
24	4 400	3 050	24	4 300	2 600
26	3 700	2 900	26	3 950	2 500
28	3 150	2 700	28	3 350	2 400
30	2 650	2 600	30	2 800	2 300
32	2 250	2 450	32	2 400	2 200
34	1 900	2 300	34	2 000	2 100
36	1 600	1 950	36	1 700	2 050
38	1 350	1 700	38	1 350	1 850
40		1 450	40		1 600
42		1 200	42		1 350
44		1 000	44		1 100
46		850	46		900

8 345kg Counterweight – Fully Extended Outriggers – 360° Rotation (All Capacities Are Listed In Kilograms)					
30.1m Main Boom Length 30° Fly Offset			30.1m Main Boom Length 45° Fly Offset		
Radius (m)	Fly Length (m)		Radius (m)	Fly Length (m)	
	11.58	19.51		11.58	19.51
14	4 550		14		
16	4 400		16	3 900	
18	4 250		18	3 800	
20	4 100	2 450	20	3 750	
22	3 950	2 350	22	3 650	
24	3 850	2 250	24	3 600	2 000
26	3 750	2 150	26	3 500	1 950
28	3 500	2 100	28	3 450	1 900
30	2 950	2 050	30	3 050	1 900
32	2 500	2 000	32	2 550	1 850
34	2 100	1 950	34		1 850
36	1 750	1 900	36		1 850
38		1 850	38		1 850
40		1 700	40		1 800
42		1 450	42		
44		1 150	44		

This information is not for crane operation. Operator must refer to the in-cab information for crane operation. Rated lifting capacities shown meet ISO 4305 standards.

8 345kg Counterweight – Fully Extended Outriggers – 360° Rotation (All Capacities Are Listed In Kilograms)									
38.71m Main Boom Length 2° Fly Offset					38.71m Main Boom Length 15° Fly Offset				
Radius (m)	Fly Length (m)				Radius (m)	Fly Length (m)			
	11.58	19.51	24.38	29.26		11.58	19.51	24.38	29.26
10	4 950				10				
12	4 950				12				
14	4 950	3 350	2 600		14	4 700			
16	4 950	3 300	2 600	2 050	16	4 600			
18	4 950	3 200	2 600	2 050	18	4 500			
20	4 850	3 150	2 600	2 050	20	4 400	2 750	2 500	
22	4 750	3 050	2 600	2 050	22	4 300	2 650	2 300	1 850
24	4 450	2 950	2 550	1 900	24	4 100	2 550	2 150	1 700
26	3 800	2 850	2 350	1 750	26	3 850	2 500	2 000	1 550
28	3 250	2 750	2 200	1 600	28	3 450	2 400	1 850	1 400
30	2 750	2 650	2 050	1 450	30	2 950	2 300	1 750	1 300
32	2 350	2 450	1 900	1 350	32	2 500	2 250	1 650	1 200
34	2 000	2 250	1 750	1 250	34	2 150	2 100	1 550	1 100
36	1 700	1 950	1 650	1 150	36	1 800	2 000	1 450	1 000
38	1 400	1 650	1 550	1 050	38	1 500	1 900	1 400	950
40	1 150	1 400	1 350	1 000	40	1 250	1 600	1 300	850
42	950	1 200	1 100	900	42	1 050	1 350	1 250	800
44	750	1 000	900	850	44	800	1 150	1 050	750
46	600	800	750	700	46	600	950	850	700
48	450	650	550	550	48		750	700	650
50		500	400	400	50		600	500	500
52					52		450		

This information is not for crane operation. Operator must refer to the in-cab information for crane operation. Rated lifting capacities shown meet ISO 4305 standards.

8 345kg Counterweight – Fully Extended Outriggers – 360° Rotation (All Capacities Are Listed In Kilograms)									
38.71m Main Boom Length 30° Fly Offset					38.71m Main Boom Length 45° Fly Offset				
Radius (m)	Fly Length (m)				Radius (m)	Fly Length (m)			
	11.58	19.51	24.38	29.26		11.58	19.51	24.38	29.26
18	4 050				18				
20	3 950				20	3 650			
22	3 850				22	3 600			
24	3 800	2 200			24	3 500			
26	3 650	2 150	1 650	1 350	26	3 450			
28	3 450	2 100	1 550	1 250	28	3 300	1 900	1 350	
30	3 150	2 050	1 500	1 150	30	3 150	1 850	1 300	1 000
32	2 700	2 000	1 400	1 050	32	2 800	1 850	1 250	950
34	2 300	1 950	1 300	950	34	2 350	1 850	1 200	850
36	1 950	1 850	1 250	900	36	2 000	1 800	1 100	800
38	1 600	1 750	1 200	800	38	1 650	1 700	1 100	750
40	1 350	1 650	1 150	750	40		1 650	1 050	700
42	1 100	1 550	1 100	700	42		1 550	1 000	650
44	850	1 300	1 050	650	44		1 350	1 000	600
46		1 050	1 000	600	46		1 100	950	550
48		850	800	550	48		900	900	500
50		650	650	550	50			700	500
52		500	450	500	52			500	500

This information is not for crane operation. Operator must refer to the in-cab information for crane operation. Rated lifting capacities shown meet ISO 4305 standards.

This Page Intentionally Blank

This Page Intentionally Blank

Link-Belt Construction Equipment Company Lexington, Kentucky www.linkbelt.com

®Link-Belt is a registered trademark. Copyright 2011. We are constantly improving our products and therefore reserve the right to change designs and specifications.